

FAFCO® CLONE KIT

Panel Repair Kit Instructions

Note: This kit can only be used with **FAFCO*** brand panels

1. Locate leak and mark the tube to be plugged.
2. Using the supplied cutting tool, cut away a 1.5" section from the marked tube on both ends, starting 2" from header as shown. Figure 1

KIT CONTENTS:

- Instruction sheet
- Cutting tool - SPEEDBALL™
- 2 blades
- Insertion tool
- 20 plugs

FIGURE 1

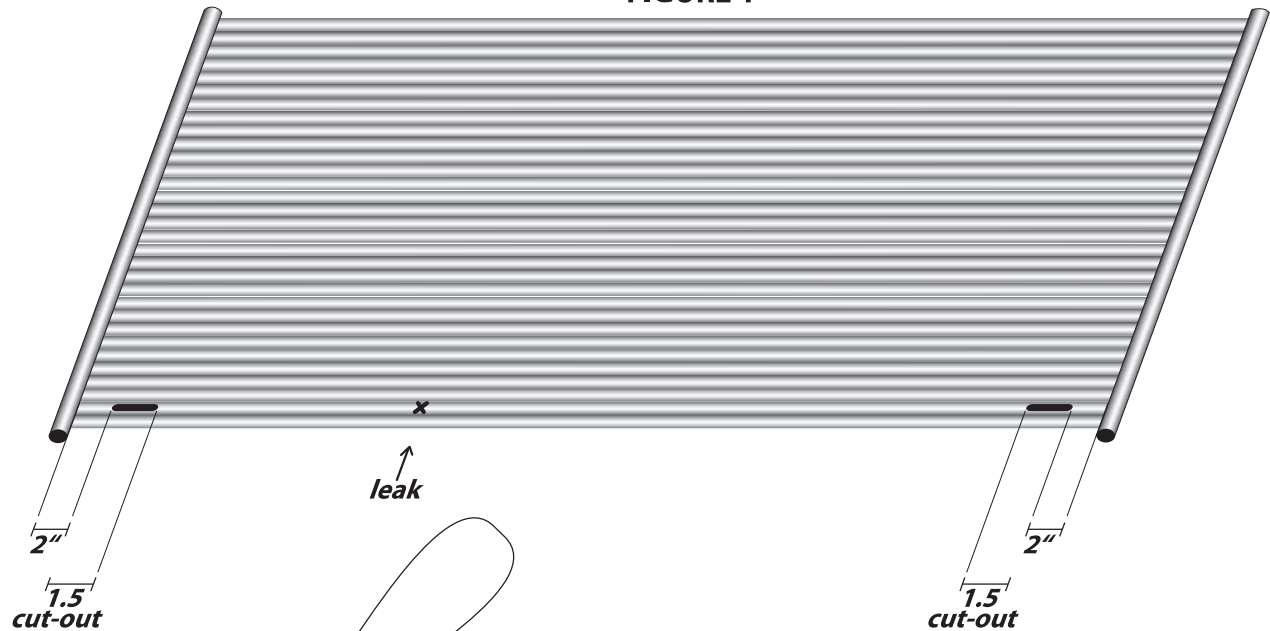
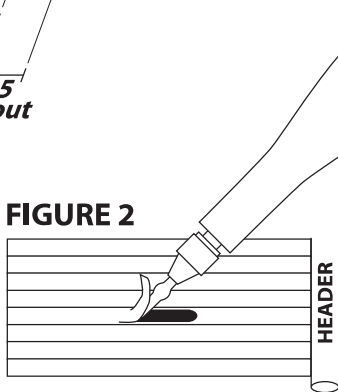


FIGURE 2



Notes:

- A. Cut tube with tool away from header
- B. Remove entire top half of tube
- C. Ends of slot should be round and smooth
- D. Be careful not to cut adjacent tubes

Figure 2

FIGURE 3



3. Wet the cut-out area of the tube and the rubber plug with water. use NO other lubricant.

4. Insert plug onto insertion tool (figure 3) and into cut-out. Push very slowly but keep plug moving. Use finger pressure to help guide plug into tube. Completely insert plug. Figure 4

5. Remove insertion tool with a quick twisting motion. Figure 5

FIGURE 4

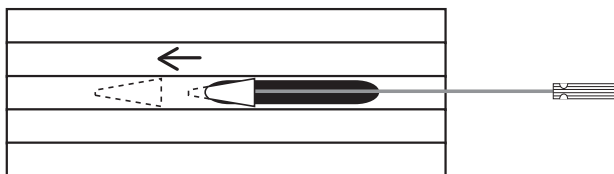
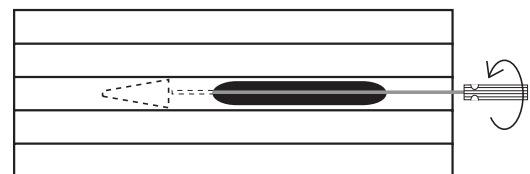


FIGURE 5



6. Repeat with second plug in opposite side of tube.

*Fafco is a registered Trademark owned by Fafco, Inc. The Energy SuperMarket and Solar Direct are not affiliated with Fafco.